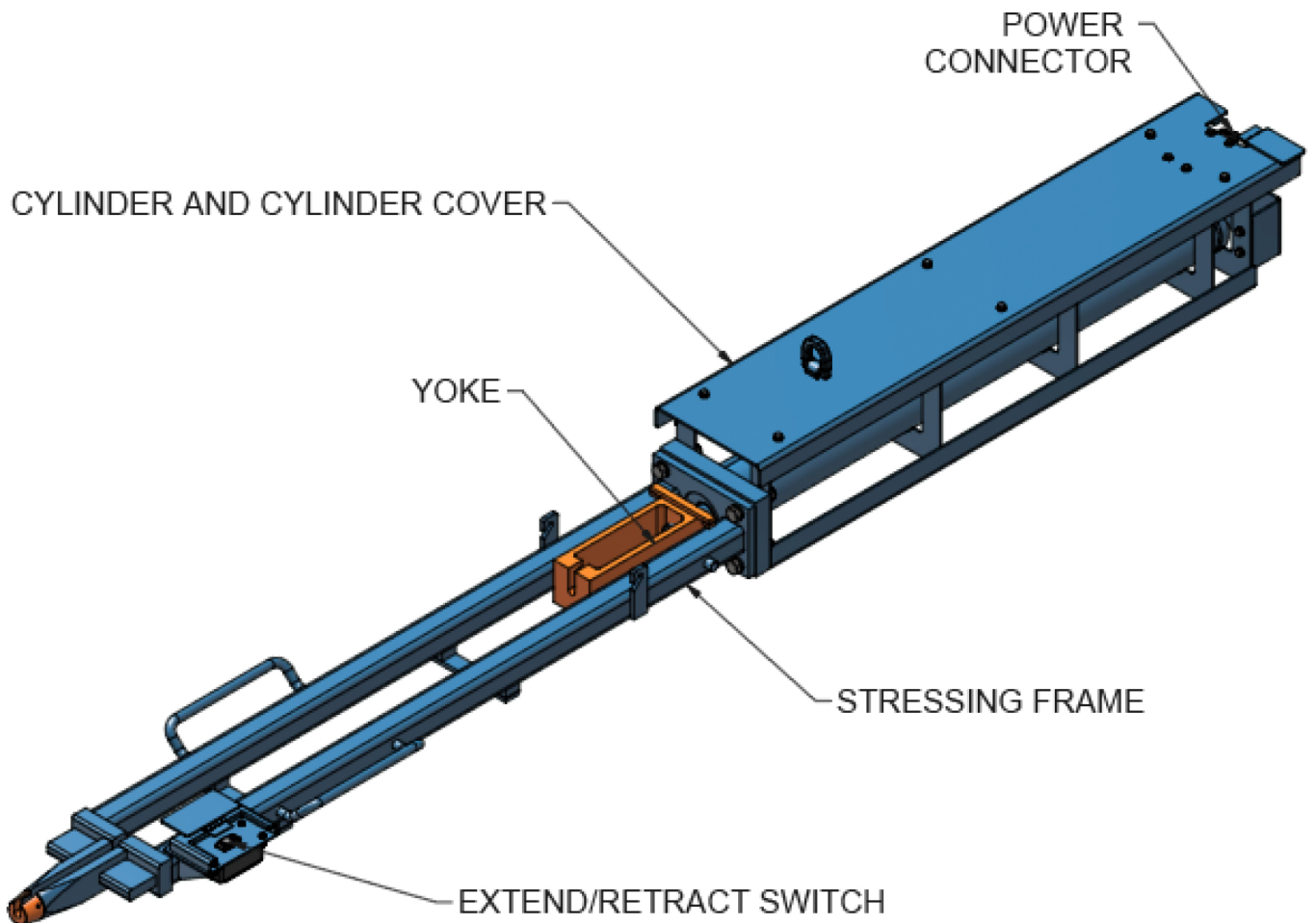


Choose From **4** Hydraulic Stressing Jacks.  
They All Work With the Smart Stress System.



3D REFERENCE VIEW



**Hamilton Form Company**

*Custom forms*

*Custom products*

*Practical solutions*

**hamiltonform.com**



Hamilton Form Company, Ltd.  
 7009 Mckay Road  
 Fort Worth, TX 76118  
 Ph 817-965-2111  
 Fx 817-965-1110  
 www.hamiltonform.com

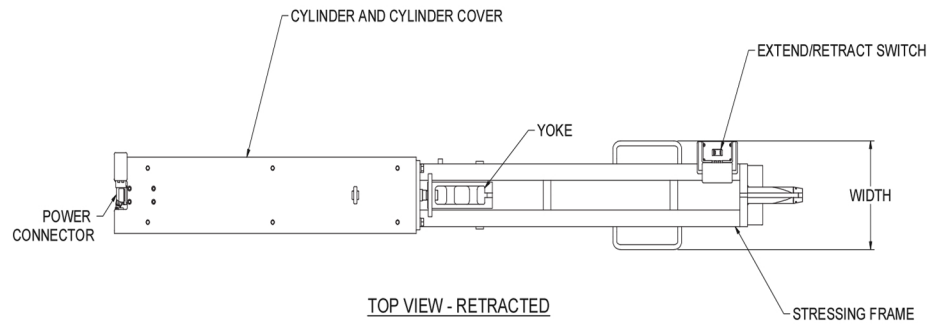
TOLERANCES (UNO.)	
DECIMAL DIMENSION	± 0.01"
FRACTION DIMENSION	± 1/16"
ROUND DIMENSION	± 1/32"
ANGLES	± 1/2°

**PROPRIETARY NOTICE**  
 THIS DOCUMENT AND ALL DATA SHOWN HEREON CONSTITUTE THE PROPRIETARY AND CONFIDENTIAL INFORMATION OF HAMILTON FORM COMPANY, LTD. EXCEPT FOR RIGHTS EXPRESSLY GRANTED BY SEPARATE WRITTEN CONTRACT. THIS DOCUMENT MAY NOT BE DISCLOSED, REPRODUCED, OR TRANSMITTED IN ANY MANNER WITHOUT THE WRITTEN PERMISSION OF HAMILTON FORM COMPANY, LTD.

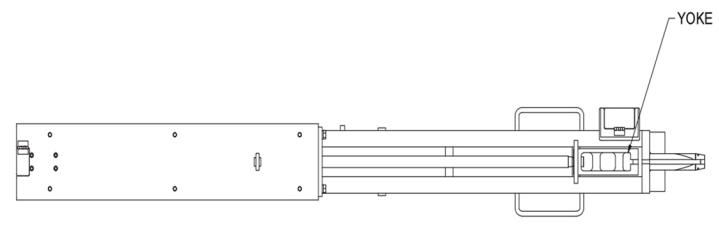
REVISIONS	
BY	DATE
LM	1/3/2024
CH	
CH	
PLT	

SHEET TITLE	
JACK ASSEMBLY DIMENSIONS	DAPP-S1
SMART STRESS SYSTEM STRESSING JACKS	DAPP
CUSTOMER	JOB #

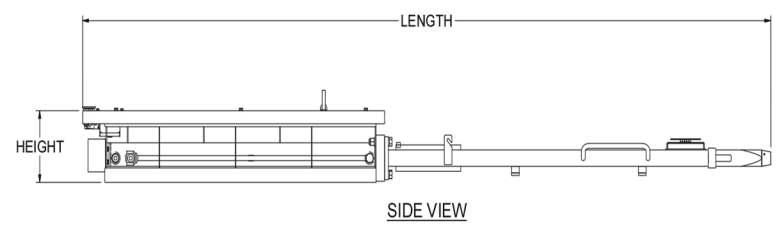
SMART STRESS SYSTEM STRESSING JACKS	
ID	WEIGHT (LBS)
SS/J/5X48	470
SS/J/5X60	535
SS/J/6X48	565
SS/J/6X60	645



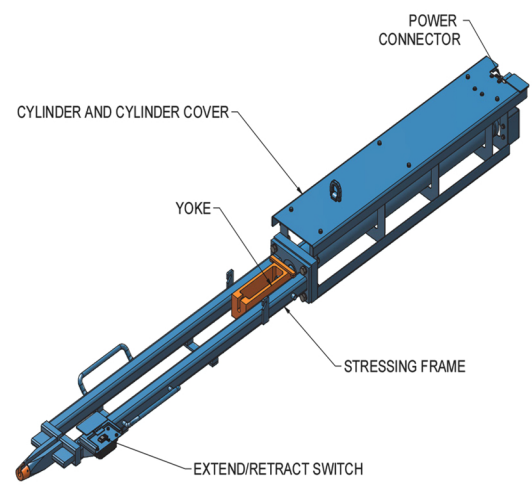
TOP VIEW - RETRACTED



TOP VIEW - EXTENDED



SIDE VIEW



3D REFERENCE VIEW

SMART STRESS SYSTEM STRESSING JACKS					
ID	DESCRIPTION	LENGTH	WIDTH	HEIGHT	WEIGHT (LBS)
SS/J/5X48	0.5" X 4.8" JACK ASSEMBLY	11'-3.91/61"	1'-4.15/32"	11 1/4"	470
SS/J/5X60	0.5" X 6.0" JACK ASSEMBLY	13'-3.91/61"	1'-4.15/32"	11 1/4"	535
SS/J/6X48	0.6" X 4.8" JACK ASSEMBLY	11'-6.11/61"	1'-5.15/32"	11 1/4"	565
SS/J/6X60	0.6" X 6.0" JACK ASSEMBLY	13'-6.11/61"	1'-5.15/32"	11 1/4"	645